



FITTING AND OPERATING GUIDE

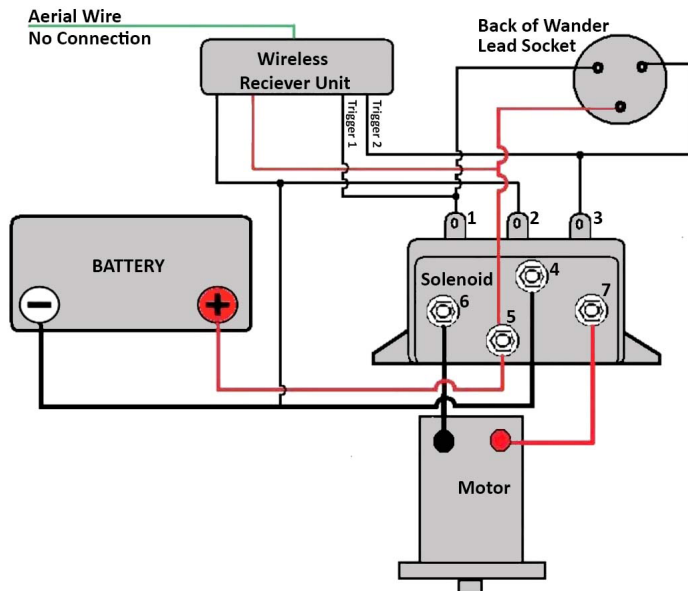


12v/24v Spade Terminal

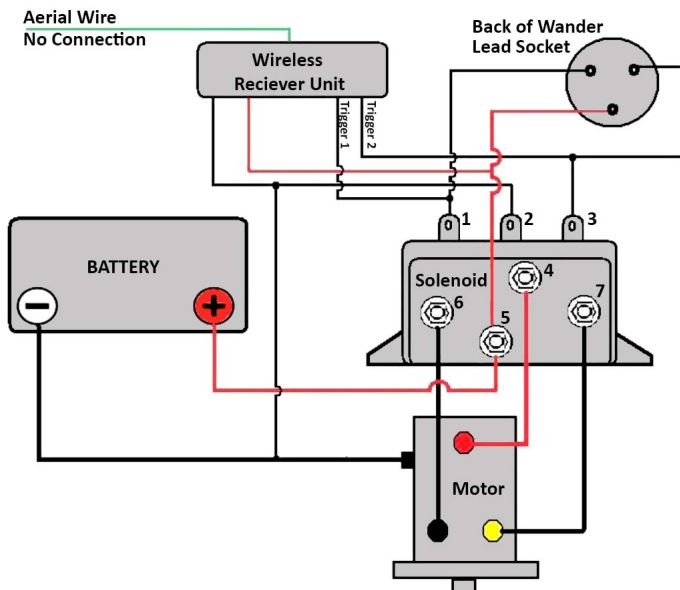
Solenoid User Guide

VERY IMPORTANT - YOU MUST READ AND UNDERSTAND THIS GUIDE
BEFORE INSTALLING AND OPERATING YOUR WINCH

Thank you for buying a genuine WINCHMAX wireless remote control kit solenoid. This should provide many years of trouble free operation, however it is essential that it is correctly installed otherwise irreparable damage to the micro circuitry/contactors will be caused.



Example wiring for two wire motor



Example wiring for four wire motor

GETTING STARTED

Warning: to prevent damage or injury in the case of unintended operation always electrically isolate any equipment when not in use.

Note: trigger wire colours may vary.

- Terminal 2 is the earth supply to the solenoid.
- Energise terminal 1 = 5 connects to 6 & 4 connects to 7
- Energise terminal 3 = 5 connects to 7 & 4 connects to 6
- No input (at rest) = 6, 7 & 4 connected. 5 open circuit (no connection)

The basic principle of operation is that once connected to a power supply, the two output wires of the receiver will go to the supply voltage (12v or 24v depending on the model) when the corresponding button on the transmitter (hand set) is pressed.

The output can then be used to operate the trigger terminals on a secondary contactor (solenoid) to switch the main load (e.g. a Winch). The outputs **MUST NEVER** be connected to earth as otherwise they will short circuit and burn out.

If you have any doubt about which are the trigger terminals on your solenoid, first check by using a thin piece of wire connected to the positive supply, when you apply it to one of the solenoid trigger terminals the winch should run in one direction, if you apply it to the trigger terminal it should operate in the opposite direction.

In most cases winches are fitted with a plug in wander lead, at the back of the wander lead socket you will see three wires. One of the wires is the positive feed to the wander lead switch, depending on which way the switch is pressed this feed will then be diverted down one of the other two wires (the output wires) which will in turn be connected to the trigger terminal of the solenoid.

There are many different types of control configurations, but if you understand the basic principle of operation this should allow you to apply it to whichever set you have. We have provided a schematic of the most common single solenoid park winch control system (in our diagram trigger terminals on the solenoid are labelled as '1' & '3') but if you have any doubt as to how you should connect your remote our office hours helpline for advice on 01986899264 or email info@winchmax.co.uk

WARRANTY

This product is covered by a limited RTB (return to base) warranty for a period of 12months. In the case of product failure, please return to Winchmax UK ensuring that you enclose proof of purchase and full contact details. Once the item has been inspected we will contact you to report our findings and if failure is due to manufacturing defect we will repair or replace the item at our discretion. Winchmax UK cannot be held responsible for any consequential loss or damage due to the failure of this device.



WINCHMAX LTD

The Powerhouse,
Earsham Hall,
Bungay,
Suffolk,
NR3452AN.

info@winchmax.co.uk

Tel +44(0)1986899266

Registered in England No. 4083040

WINCHMAX LTD
WWW.WINCHMAX.CO.UK